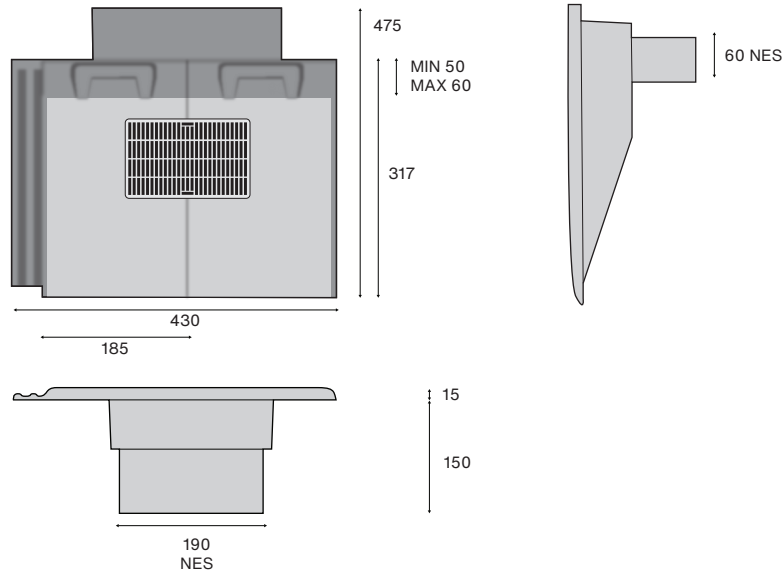


RV8K/G148



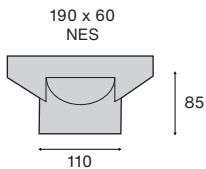
High impact polystyrene vacuum formed tile with injection moulded ABS grille with painted and textured finish to match tile

REPLACES TWO TILES

Water resistance exceeds all relevant parts of DoE Partners in Technology Programme

Minimum 20° roof pitch

Grille features maximum 4mm wide airflow slots to prevent the entry of large insects, birds and vermin, in accordance with BS 5250:2021



190mm x 60mm rectangular NES spigot can terminate directly into the roofspace
For connection to or Ø110mm pipes, please replace **RV8K** with **RP8K** in the product code or use spigot adapter **NSA110** (sold separately)

Additional extension of spigot: 85mm for Ø110mm connections

AVAILABLE COLOURS

Antique Slate / Antique No.2 / Tuscan / Flanders

Suitable for applications adhering to guidance provided by:
BS 5250:2021 Control of condensation in buildings
BS 5534:2003 Code of practice for slate and tiling
BS 490:2004 Concrete tiles and fittings for roof coverings
BRE PrEN 15601
Building Regulations 2010
NHBC Good Craftmanship Guidelines