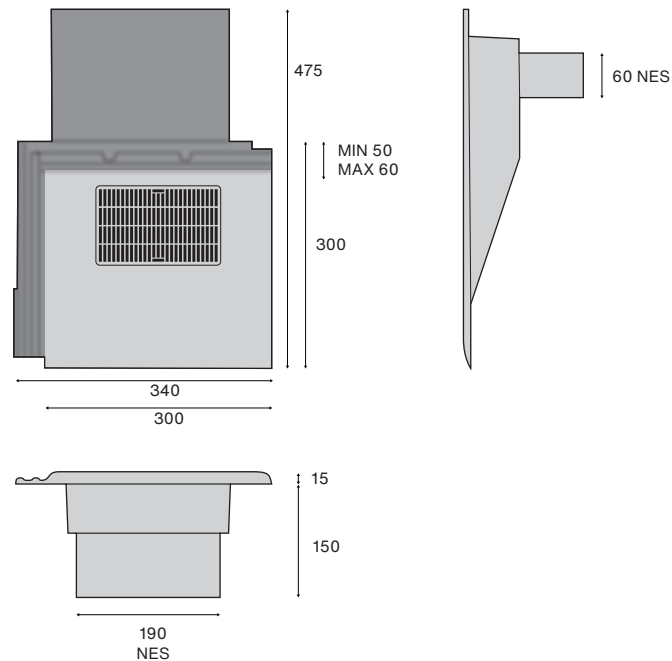


## RV8K/G019



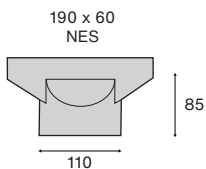
High impact polystyrene vacuum formed tile with injection moulded ABS grille with painted and textured finish to match tile

### REPLACES ONE TILE

Water resistance exceeds all relevant parts of DoE Partners in Technology Programme

Minimum 20° roof pitch

Grille features maximum 4mm wide airflow slots to prevent the entry of large insects, birds and vermin, in accordance with BS 5250:2021



190mm x 60mm rectangular NES spigot can terminate directly into the roofspace  
For connection to or Ø110mm pipes, please replace **RV8K** with **RP8K** in the product code or use spigot adapter **NSA110** (sold separately)  
Additional extension of spigot: 85mm for Ø110mm connections

### AVAILABLE COLOURS

Slate Grey (BK01LT)

Suitable for applications adhering to guidance provided by:  
BS 5250:2021 Control of condensation in buildings  
BS 5534:2003 Code of practice for slate and tiling  
BS 490:2004 Concrete tiles and fittings for roof coverings  
BRE PrEN 15601  
Building Regulations 2010  
NHBC Good Craftmanship Guidelines