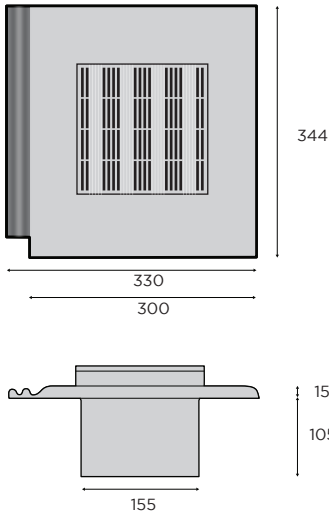


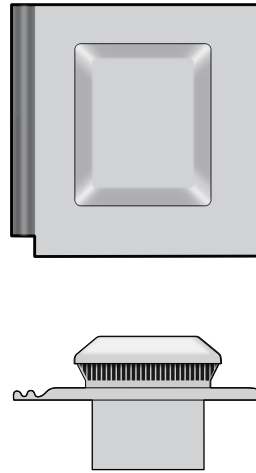
## RV10K/A043

10K mm<sup>2</sup> airflow cassette



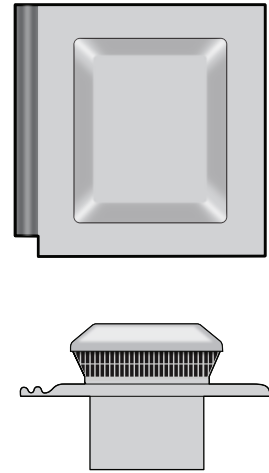
## CV10K/A043

10K mm<sup>2</sup> airflow cowl



## CV20K/A043

20K mm<sup>2</sup> airflow cowl



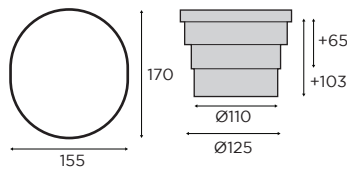
High impact polystyrene vacuum formed tile with injection moulded ABS cassette or cowl with painted and textured finish to match tile

### REPLACES ONE TILE

Water resistance exceeds all relevant parts of DoE Partners in Technology Programme

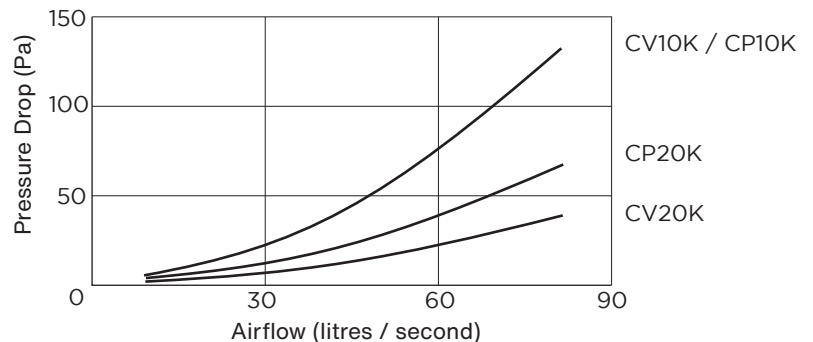
Minimum 20° roof pitch

All vents feature maximum 4mm wide airflow slots to prevent the entry of large insects, birds and vermin, in accordance with BS 5250:2021



COA1 Spigot adapter

### PRESSURE DROP ACROSS COWL VENTS



155mm x 170mm slot-shaped spigot can terminate directly into the roofspace  
 For connection to Ø125mm or Ø110mm pipes, please replace **V** with **P** in the product code (**RP10K/**, **CP10K/** or **CP20K/**) or use spigot adapter **COA1** (sold separately)  
 Additional extension of spigot: 65mm for Ø125mm connections  
 103mm for Ø110mm connections

### AVAILABLE COLOURS

Slate Grey / Smooth Grey

Suitable for applications adhering to guidance provided by:  
 BS 5250:2021 Control of condensation in buildings  
 BS 5534:2003 Code of practice for slate and tiling  
 BS 490:2004 Concrete tiles and fittings for roof coverings  
 BRE PrEN 15601  
 Building Regulations 2010  
 NHBC Good Craftmanship Guidelines