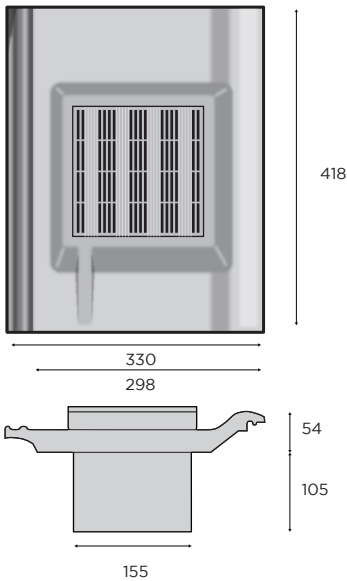


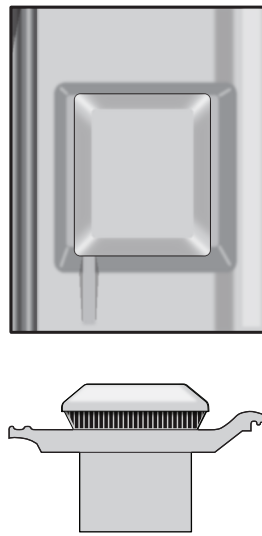
## RV10K/A008

10K mm<sup>2</sup> airflow cassette



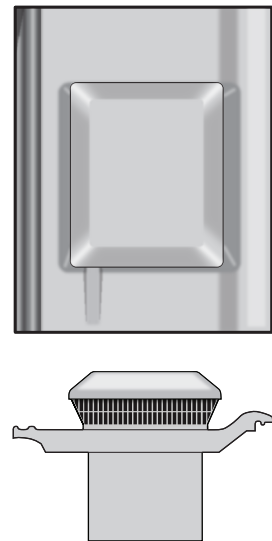
## CV10K/A008

10K mm<sup>2</sup> airflow cowl



## CV20K/A008

20K mm<sup>2</sup> airflow cowl



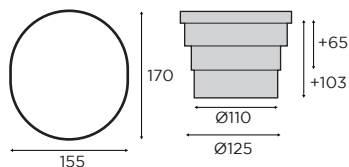
High impact polystyrene vacuum formed tile with injection moulded ABS cassette or cowl with painted and textured finish to match tile

### REPLACES ONE TILE

Water resistance exceeds all relevant parts of DoE Partners in Technology Programme

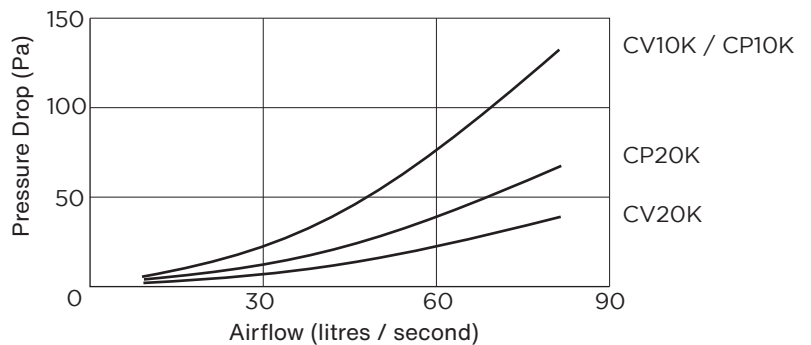
Minimum 20° roof pitch

All vents feature maximum 4mm wide airflow slots to prevent the entry of large insects, birds and vermin, in accordance with BS 5250:2021



COA1 Spigot adapter

### PRESSURE DROP ACROSS COWL VENTS



155mm x 170mm slot-shaped spigot can terminate directly into the roofspace

For connection to Ø125mm or Ø110mm pipes, please replace **V** with **P** in the product code (**RP10K/**, **CP10K/** or **CP20K/**) or use spigot adapter **COA1** (sold separately)

Additional extension of spigot: 65mm for Ø125mm connections  
103mm for Ø110mm connections

### AVAILABLE COLOURS

Russell: Slate Grey / Turf Brown / Terracotta / Anthracite  
Scott: Clay Red / Basalt Grey / Turf Brown

Suitable for applications adhering to guidance provided by:  
BS 5250:2021 Control of condensation in buildings  
BS 5534:2003 Code of practice for slate and tiling  
BS 490:2004 Concrete tiles and fittings for roof coverings  
BRE PrEN 15601  
Building Regulations 2010  
NHBC Good Craftmanship Guidelines