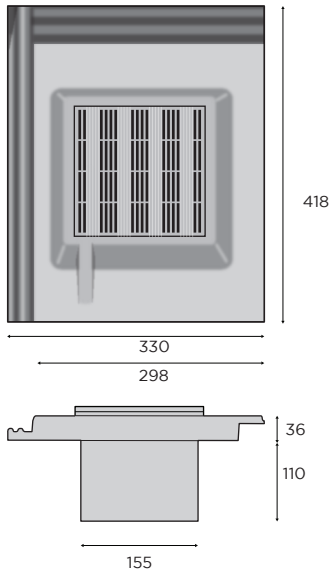


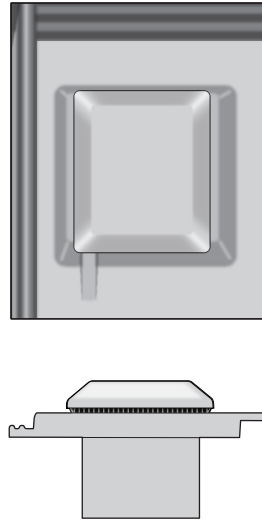
RV10K/A001

10K mm² airflow cassette



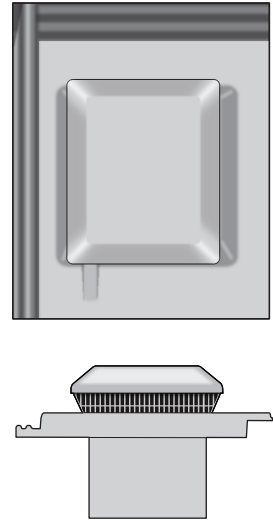
CV10K/A001

10K mm² airflow cowl



CV20K/A001

20K mm² airflow cowl



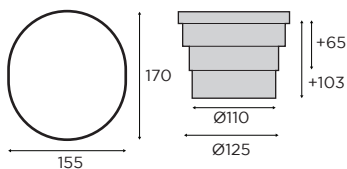
High impact polystyrene vacuum formed tile with injection moulded ABS cassette or cowl with painted and textured finish to match tile

REPLACES ONE TILE

Water resistance exceeds all relevant parts of DoE Partners in Technology Programme

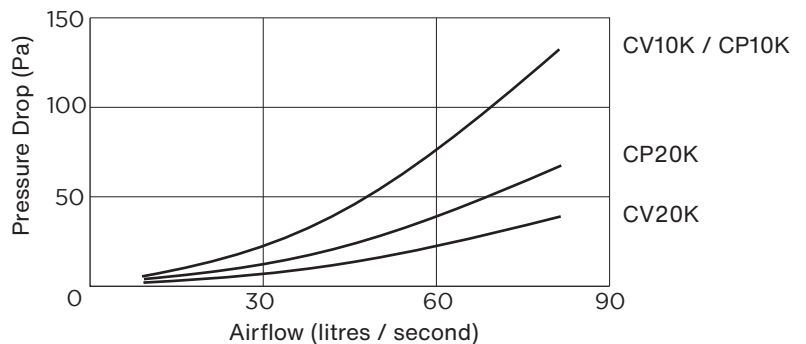
Minimum 20° roof pitch

All vents feature maximum 4mm wide airflow slots to prevent the entry of large insects, birds and vermin, in accordance with BS 5250:2021



COA1 Spigot adapter

PRESSURE DROP ACROSS COWL VENTS



155mm x 170mm slot-shaped spigot can terminate directly into the roofspace

For connection to Ø125mm or Ø110mm pipes, please replace **V** with **P** in the product code (**RP10K/**, **CP10K/** or **CP20K/**) or use spigot adapter **COA1** (sold separately)

Additional extension of spigot: 65mm for Ø125mm connections
103mm for Ø110mm connections

AVAILABLE COLOURS

]Black / Slate Grey / Basalt Grey / Grey

Suitable for applications adhering to guidance provided by:
BS 5250:2021 Control of condensation in buildings
BS 5534:2003 Code of practice for slate and tiling
BS 490:2004 Concrete tiles and fittings for roof coverings
BRE PrEN 15601
Building Regulations 2010
NHBC Good Craftmanship Guidelines