

Corotherm[®]

Polycarbonate Insulating Roofing Sheet

INSULATING ROOFING SYSTEM • IDEAL FOR CONSERVATORIES, PORCHES & GREENHOUSES • TEN YEAR WARRANTY

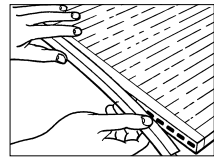


Corotherm[®]

Polycarbonate Insulating Roofing Sheet

Installation (cont.)

Lay the final sheet with side flashing attached and secure the flashing apron to the wall. Fit the final glazing bar cap and complete the run of flashing.



Finally, remove all protective film.

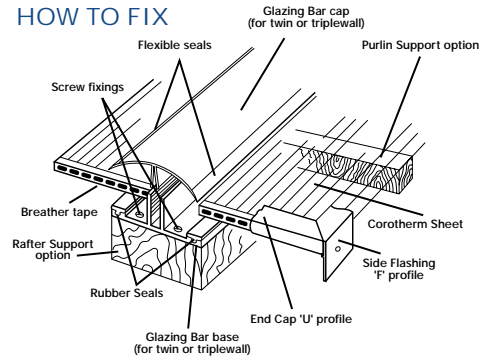
To protect the breather tape which allows ventilation of the sheet, fit end caps at the lower end of the sheeting, with the rainwater drip downwards to lead run-off water into the gutter. Run a bead of sealant along the top edge of the end cap to prevent water ingress.

Note: All Corotherm sheets must have an expansion allowance of 3mm around all fixings and 3mm/metre for both the length and the width of the sheet. Mechanical fixing at the lower end of the sheet using a centrally positioned fixing button is recommended to prevent any downslope migration of the sheet.

Cleaning

Corotherm can be easily and quickly washed with luke warm soapy water and a soft cloth or sponge. Do not use brushes or sharp objects and avoid any abrasives or cleaners of a high alkaline nature.

HOW TO FIX



NB

- 1) Make sure UV protected side of sheet is facing outwards.
- 2) Allow minimum of 10° roof slope for water drainage.
- 3) The Ariel purlin supported glazing bar should be supported at intervals of no greater than 1500mm.
- 4) Rafter glazing bars should be fully supported by rafters.
- 5) The lines of the flutes on the sheet must only run from the top to the bottom of the slope. They cannot be run from side to side. Sheets cannot be joined top to bottom. Glazing bars/F section cannot be joined - but must be used as a continuous section.
- 6) When using F section run a suitable low-modules silicone sealant down the inner top face of the enclosure before inserting sheet.

10 YEAR WARRANTY

ARIEL PLASTICS LIMITED undertakes to supply a replacement free of charge for any Corotherm Polycarbonate Sheet that proves to have discoloured, in normal weather conditions during a period of 10 years from the date of purchase due to a manufacturing defect.

This Warranty is only valid providing the Corotherm has been fixed in accordance with the manufacturer's instructions and does not extend to the cost of re-erection or other consequential loss, which claims are expressly excluded.

NOTE: All roofing materials may be prone to damage in areas exposed to particularly high winds or if fitted to structures which enhance the effects of prevailing wind. It is important therefore, that professional advice is taken before erection concerning prevailing winds and the structure planned.

This Warranty is offered as an extra benefit and does not affect your statutory rights.



IDEAL FOR:
CONSERVATORIES
EXTENSIONS
SWIMMING POOL COVERS
ROOFLIGHT FEATURES



Speedwell Ind Estate Staveley Derbyshire S43 3JP Tel: 01246 561122 Fax: 01246 561111
Blairlinn Road Cumbernauld Glasgow G67 2TF Tel: 01236 725536 Fax: 01236 725871
Web Site: www.arielplastics.com



Bulkers Merchants Federation



Certificate No. Q99125